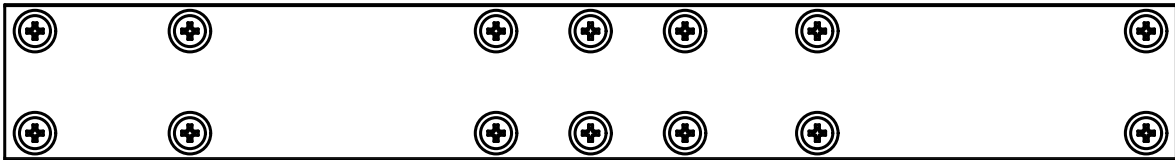
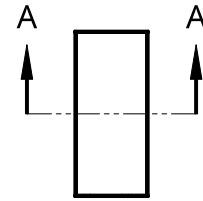


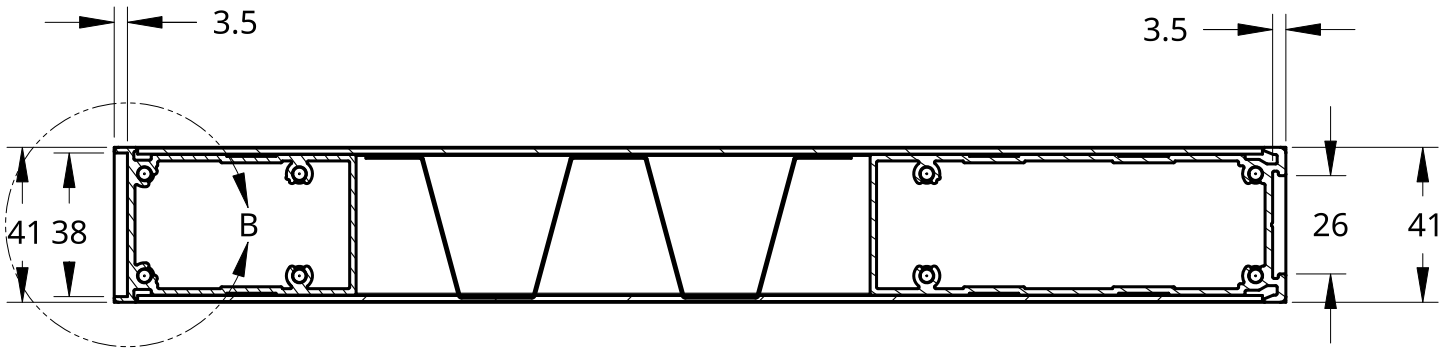


NEW ZEALAND | 0800 10 10 28
 sales@parkwooddoors.co.nz
 parkwooddoors.co.nz

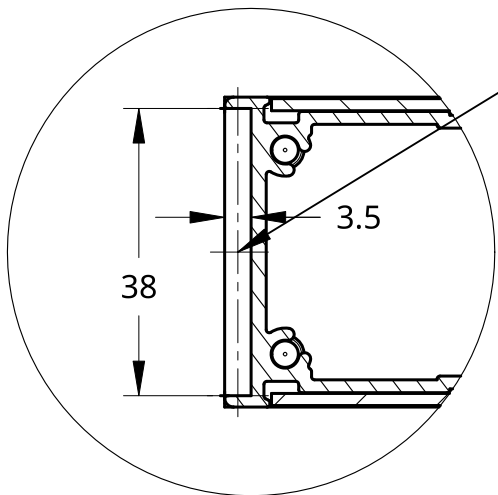
AUSTRALIA | 1800 681 586
 sales@parkwooddoors.com.au
 parkwooddoors.com.au



TOP
 SCALE 1:2



SECTION A - A
 SCALE 1:2



PACKER DIMENSIONS TO
 MAKE FLUSH STILE

DETAIL B
 SCALE 1:1

Product Description:			
STRATA FLUSH CROSS SECTION			
Product Code:	STFL	Date:	09/02/2022
Material:	ALUMINIUM	Units:	MILLIMETER