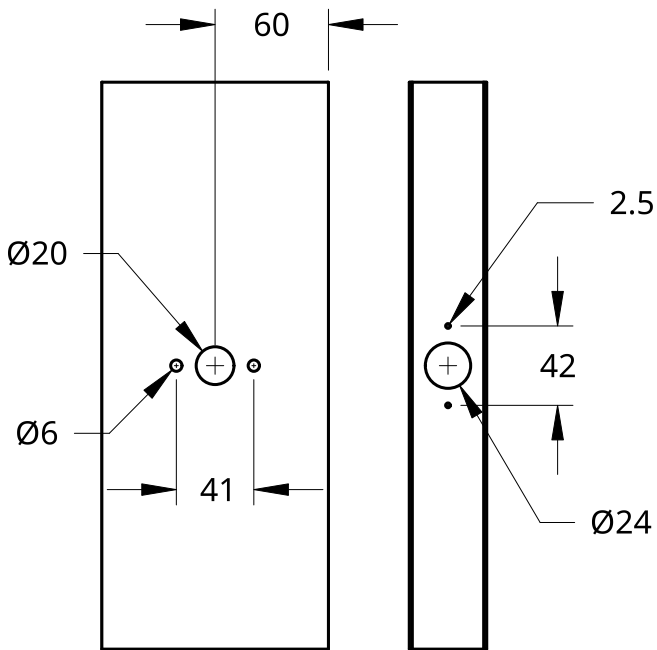


ASSEMBLY



STILE MACHINING

Product Description:			
MINI TURN LATCH MOUNTING			
Product Code:		Date:	01/17/2024
Material:		Units:	EACH